

Artnet controller

8 x 680 – 24V



FEATURES

This product uses AC wide voltage input, integrated power supply and control card. Input directly to the plug-in unit and the external controller, output directly to the light bar.

Feature Description:

- Integration of power supply and control card, easy to use and install;
- Art-net control;
- Directly connect with the product, No need extra power supply;
- Multiple network cables can be cascaded, and the wiring is simple;
- 32-65536 gray level control;
- Fixed mounting, can be directly hang;
- Use with our light, Plug and play;
- Support MA console control

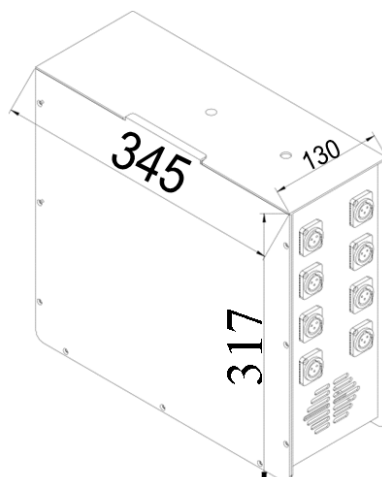
APPLICATION

The product can be widely used in stage lighting, bar atmosphere, advertising display, planetarium and science museum effect embellishment.

DIMENSIONS

Note:

- All dimensions are in mm.
- In the absence of a clear indication of the circumstances, tolerances



Parameter list

Parameter	Unit	Min	Typ.	Max
Working voltage(AC)	V	85	220	265
Max power	W	—	1400	—
Output port	PCS	—	8	—
Output voltage	V	—	DC5V- DC24	—
Max pixels	Pix	8*170	8*510	8*680
Control IC type	—	—	WS2811/SK6812/U CS1903/UCS8903/ UCS9812/ DMX512	—
Max interconnect PCS	PCS	—	—	32
Weight	KG	—	6.5	—
Size(L*W*H)	MM	—	345*131*317	—
Color	—	—	Black	—
Housing	—	—	Alu	—
Control system	—	—	Art-net	—

Product detailed drawing



Product Installation Instructions

1. PSU power input directly external power supply, output cascade down PSU
2. The signal input directly external controller signal, the output can be cascaded down the PSU signal input
3. PSU output can be directly Plug and play, No need extra connect other wires
4. The network cable crystal head production mode for the international 568B mode
5. Each port Max support 680 pixels, and each output Max support 4 universal
6. The output port of PSU is a four-core Cannon head hole output, and the corresponding product of our company can be directly plugged in, and other products cannot be connected.
7. When receiving the ART-NET signal, the host network IP must be set to 192.168.1.2.
8. After the power is turned on, the power indicator is on, the control signal is normal, and the signal indicator flickers
9. The function button can be rotated to change different settings