

KUDUX[®]
LED TECHNOLOGY

LED Meteor Light

LED Meteor lighting



KUDUX[®]
LED TECHNOLOGY

Features

Constant current driver is inside the lamp, to make sure it can work at a certain current, which contributes lots to protecting lamp's lifespan

Double sided light effects can be saw from angles. Transparent tube make the light much clear and pure.

Environment friendly, no harsh glare and buzzing noise, no flicker.

Applications

Decoration for buildings, streets, gardens, rivers, trees, hotels, shopping malls, night scene, etc

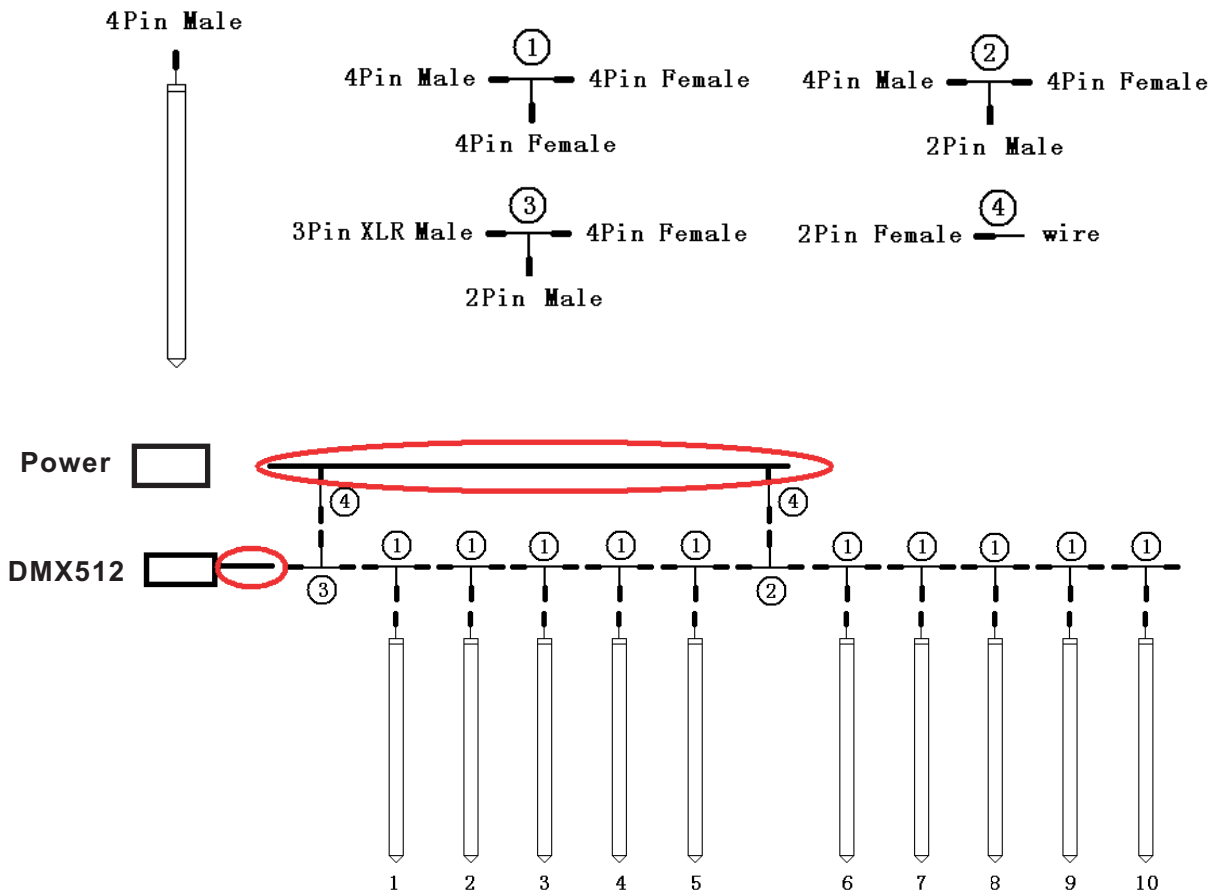
Specifications

Parameters	Description	
LED modle	LW-RGBMS100-D3216	LW-RGBMD100-D6416
LED QTY	32pcs SMD RGB 5050	64pcs SMD RGB 5050
View angle	180 degree	360degree
Max power	<12W	<24W
Operating voltage	DC12V	
Color	Full color	
Pixel QTY	16 Pixel per meter	
Control mode	DMX512	
LED Source life	50'000hours based on LED manufactures' test data	
Housing	clear	
Temperature	-4°F to 122°F (-20°C to 50°C) operating temperature	

Ordering Information

Model	Description
LW-RGBMS100-D3216	1m, 32pcs SMD RGB 5050, 16Pixel, single side
LW-RGBMD100-D6416	1m, 64pcs SMD RGB 5050, 16 Pixel, double side

Connection draw



Customer can order red part cable locally.